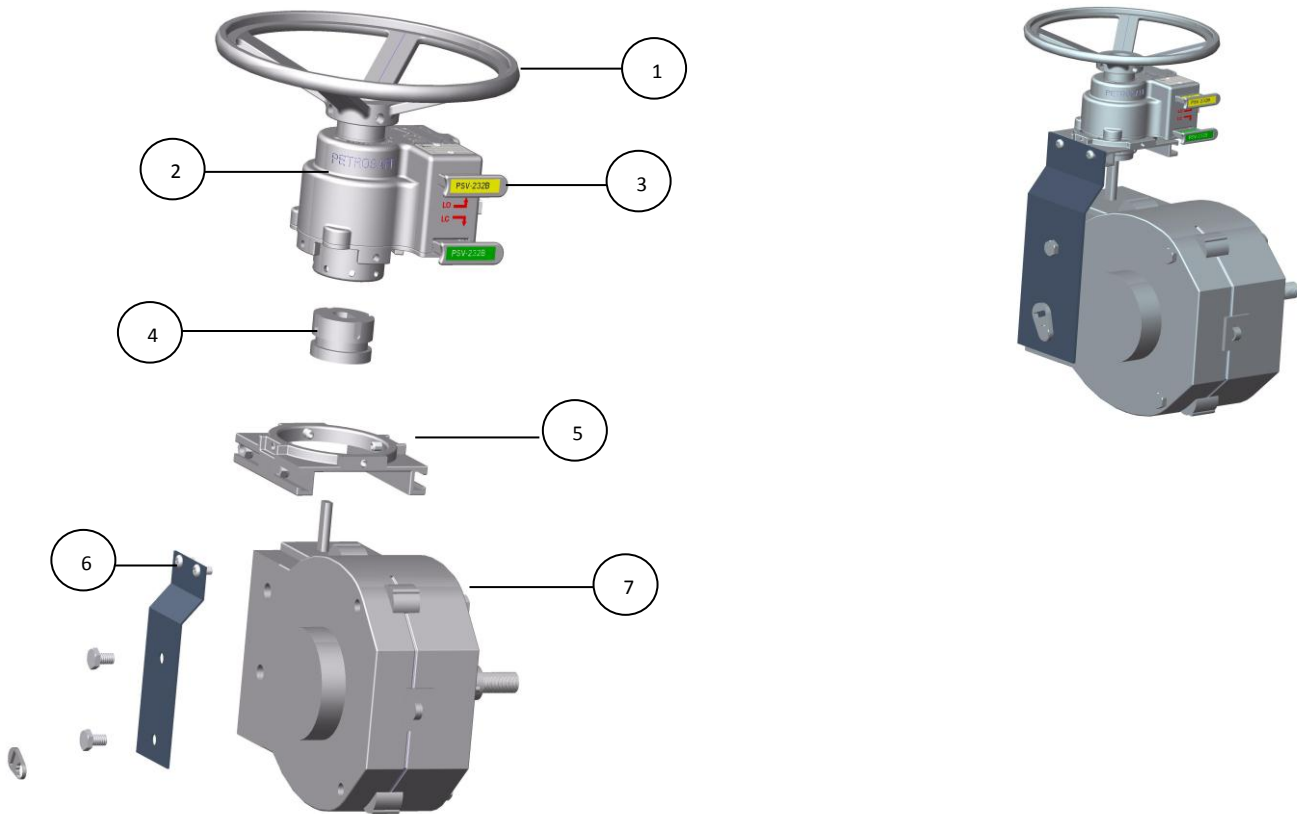


MTL Assembly Components With Gear Box



LEGENDS:-

1. Hand Wheel – SS 316
2. Interlock Body – SS 316
3. Linear Key for ease of operation – SS 316
4. Customizable Adaptor – SS 316
5. Clamping Plate – SS316
6. Customizable Bracket – SS 316
7. Gear Box