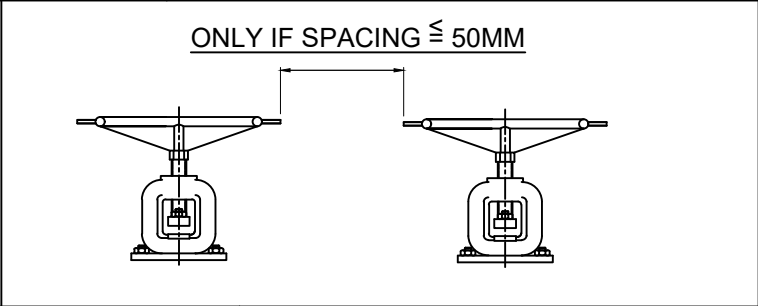
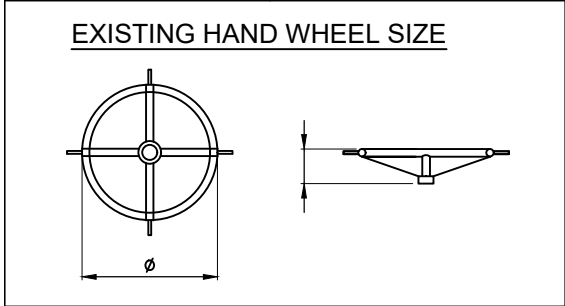
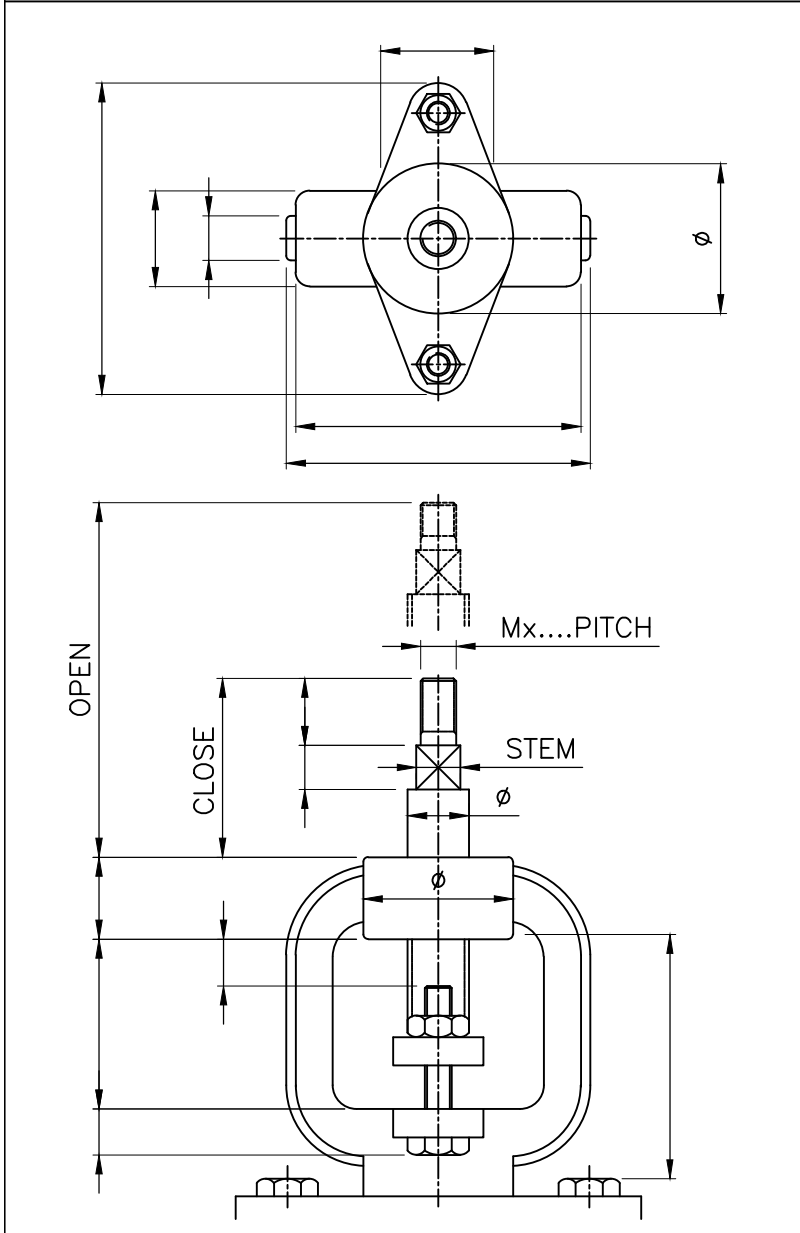


GLOBE VALVE FILL IN SHEET	CHECKED BY :-	DOC.NO - PSS-DF-FS-05 Rev.-00
--------------------------------------	---------------	-------------------------------




NUMBER OF TURNS:-

SPECIFY SHAPE & SIZE OF STEM



OTHER SHAPE	
HAND WHEEL NUT SIZE 	STEM TOP STEM BOTTOM

 <p>PETROSAFE SAFETY SYSTEM (DIVISION OF PETROMECH ENGG.PVT.LTD) OFFICE : 606,6th Floor, South Block, Sacred World Wanowari pune - 411040 (India) Tel : + 91-20-40053907/08/09 Email : petrosafesales@petromek.in Website : www.petrosafe.in</p>	Measured by :-	Date :-
	Make :-	Valve Size & Class :-