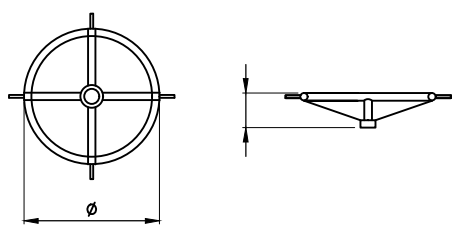
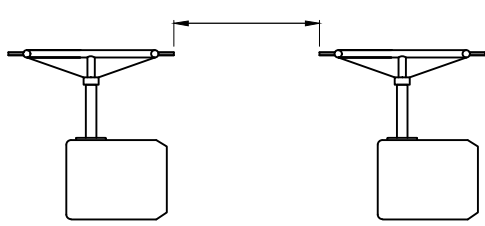


WORM GEAR BOX FILL IN SHEET	CHECKED BY :-	DOC.NO - PSS-DF-FS-07 Rev.-00
--	---------------	-------------------------------

EXISTING HAND WHEEL SIZE

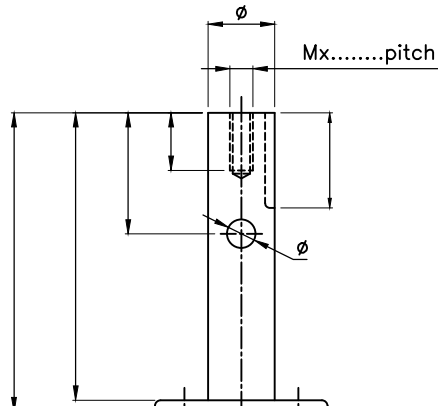
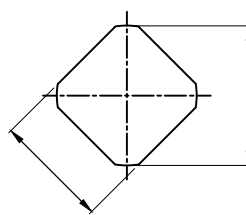
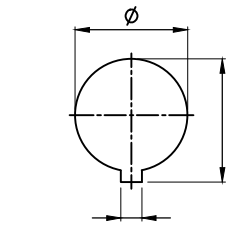
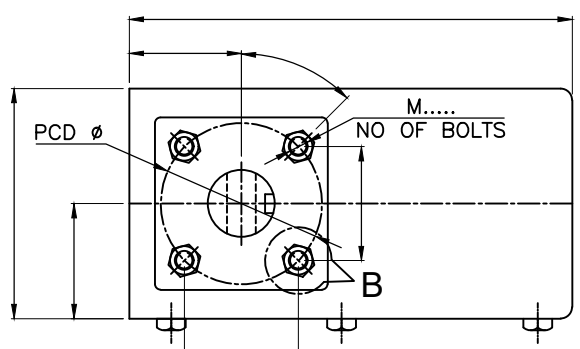


ONLY IF SPACING \geq 50MM

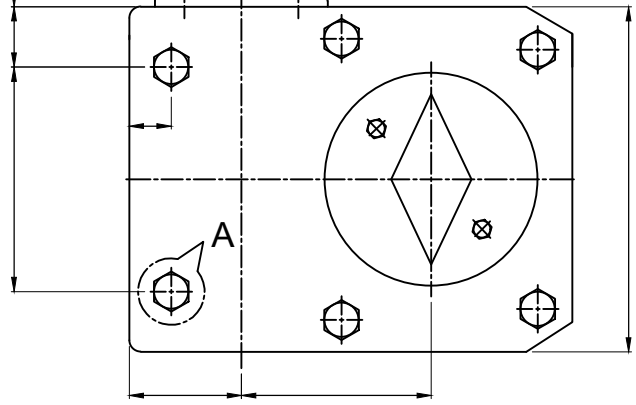


NUMBER OF TURNS:-

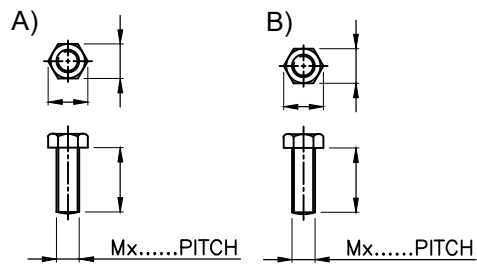
SPECIFY SHAPE & SIZE OF
GEAR BOX SHAFT



PROVIDE THE OTHER SHAPE &
SIZE OF GEAR BOX SHAFT



DETAIL DRAWING
TYPE OF BOLTS ALLEN / HEX / OTHER



PETROSAFE SAFETY SYSTEM
 (DIVISION OF PETROMECH ENGG.PVT.LTD)
 OFFICE : 606,6th Floor, South Block, Sacred World
 Wanowari pune - 411040 (India)
 Tel : + 91-20-40053907/08/09
 Email : petrosafesales@petromek.in Website : www.petrosafe.in

Measured by :-

Date :-

Make :-

Valve Size & Class :-