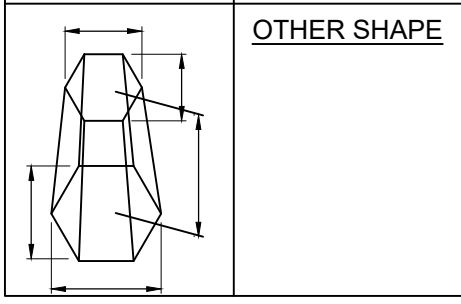
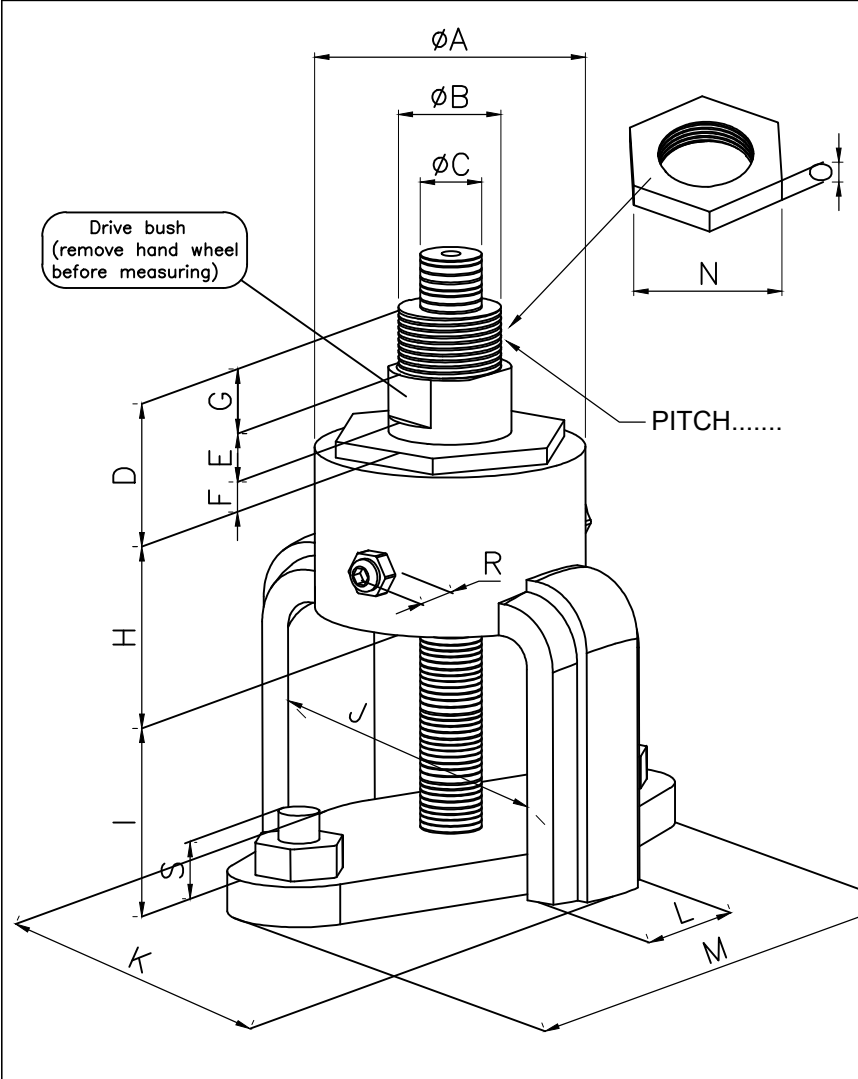
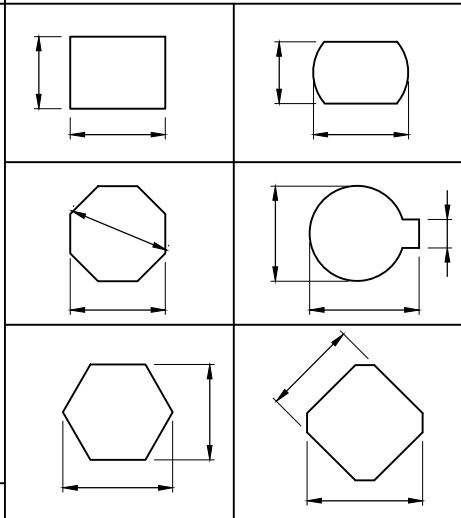
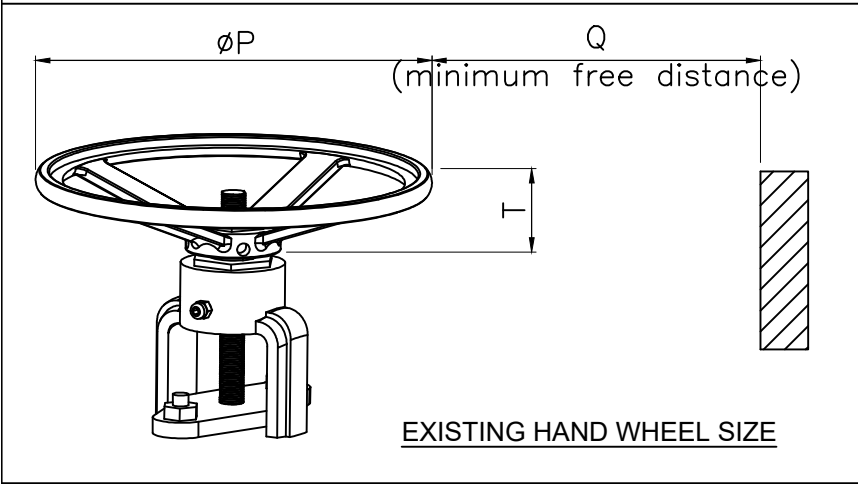


NUMBER OF TURNS:-	SPECIFY SHAPE & SIZE OF STEM
--------------------------	---



- PITCH =
- ϕA = ϕB =
- ϕC = D =
- E = F =
- G = H =
- I = J =
- K = L =
- M = N =
- O = P =
- Q = R =
- S = T =