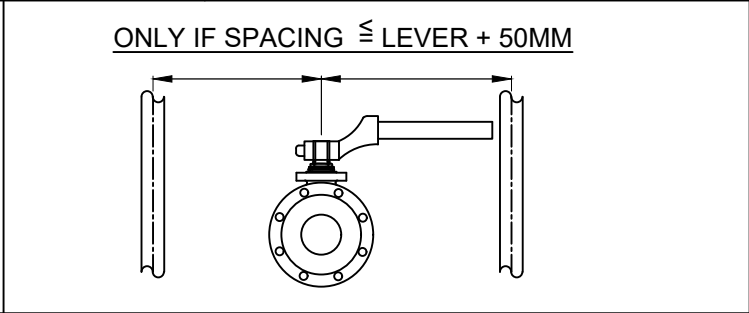
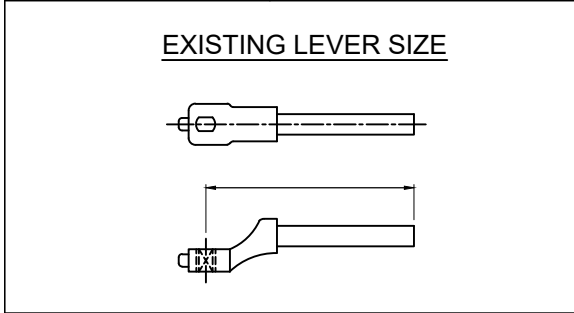
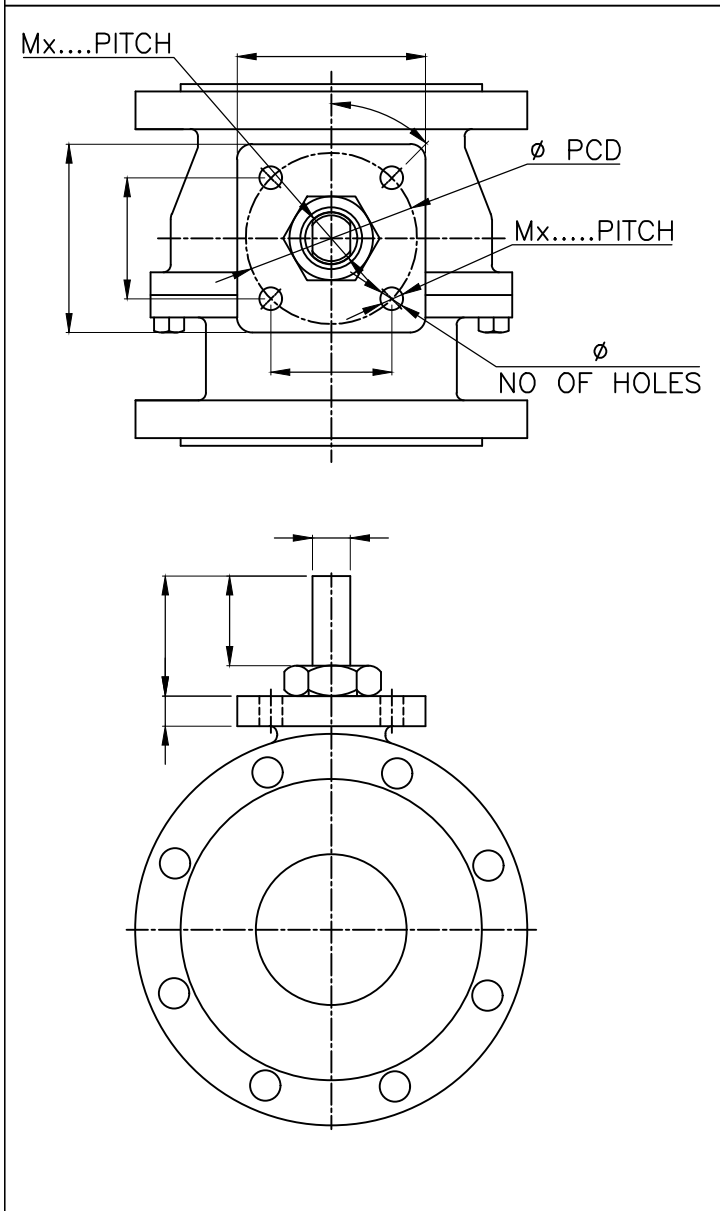


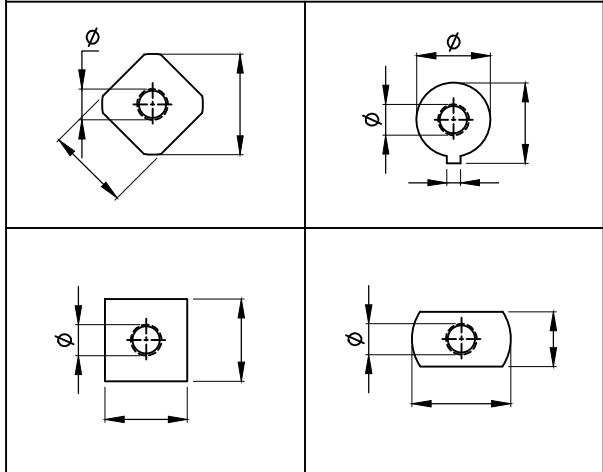
BALL VALVE 90° FILL IN SHEET	CHECKED BY :-	DOC.NO - PSS-DF-FS-01 Rev.-00
---	---------------	-------------------------------



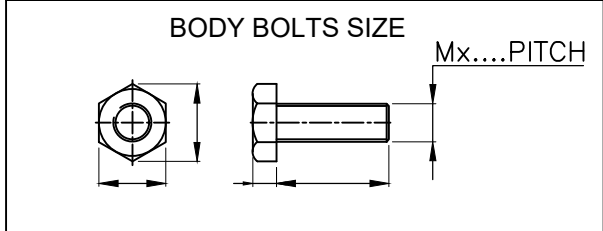
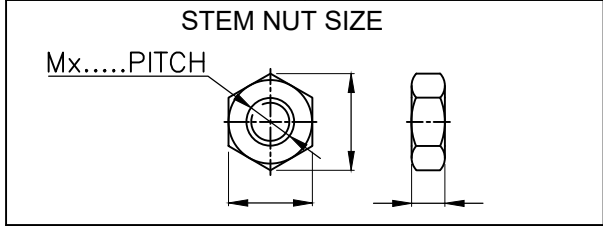
**NOTE :- VALVE SHOWN IN FIGURE IS IN NORMALLY OPEN CONDITION.
PROVIDE STEM PROFILE OF VALVE CONSIDERING VALVE IS NORMALLY OPEN CONDITION .**



SPECIFY SHAPE AND SIZE OF STEM



OTHER SHAPE :-



<p>PETROSAFE SAFETY SYSTEM (DIVISION OF PETROMECH ENGG.PVT.LTD) OFFICE : 606,6th Floor, South Block, Sacred World Wanowari pune - 411040 (India) Tel : + 91-20-40053907/08/09 Email : petrosafesales@petromek.in Website : www.petrosafe.in</p>	Measured by :-	Date :-
	Make :-	Valve Size & Class :-